

## STIPO TRACTION SWITCH

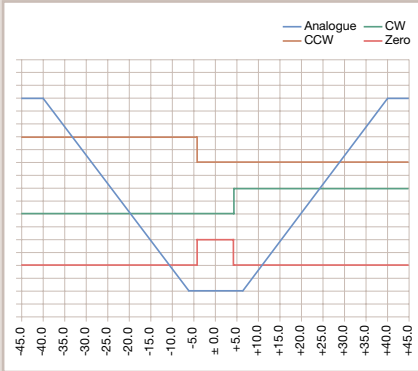
With its small outer diameter of 30 mm, the STIPO traction switch is particularly suited for installation in tubes or housings with limited installation space.

Despite being very compact, its housing contains a complete microcontroller system and the Hall-effect sensors. The redundant sensors provide for the highest level of safety. To protect the Hall-effect sensors from external magnetic fields, the housing has a solid steel core.

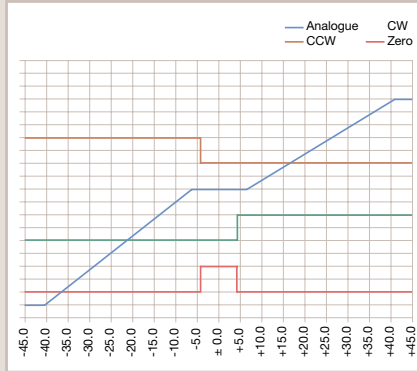
Apart from an analogue signal, the traction switch also delivers two digital direction signals and a digital neutral-position signal.

- Angle of rotation:  $\pm 40^\circ$
- Non-contacting Hall-effect technology
- Digital outputs for direction and neutral-position signals
- Active-high and active-low logic available
- One analogue output for travel speed
- Choice of two characteristic curves (V or Z characteristics)
- Suitable for safety-related applications according to EN ISO 13849
- Small diameter: 30 mm
- Protection class: IP 54 (front)
- Various butterfly knobs available

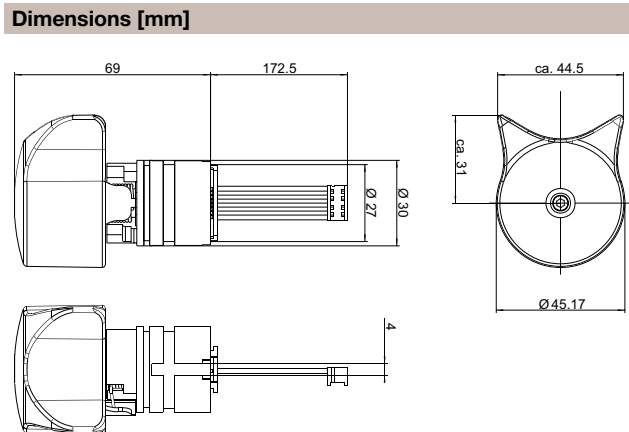
Characteristic curve (single-ended)



Characteristic curve (wig-wag signal)



Technical data	
<b>Operating conditions</b>	
Operating voltage	+10.5 VDC – 32.0 VDC
Power consumption	Max. 25 mA
Output voltage	See separate STIPO datasheet
Output current	Max. 5 mA
Digital signals	Max. 35 V/20 mA
Mechanical angle of rotation	45° per direction (± 1.5° tolerance)
Electrical angle of rotation	41.5° per direction (± 1.5° tolerance)
Operating temperature	-40°C to +85°C
Degree of protection	IP 54 (except for the connector)
Service life	2 million cycles



Various traction switch types								
Traction switch	3203-00700-01	3203-00700-02	3203-00700-03	3203-00800-01	3203-00800-02	3203-00800-03	3203-00800-05	3203-00800-06
Characteristic curve	Wig-wag	Single-ended	Single-ended	Wig-wag	Single-ended	Single-ended	Single-ended	Wig-wag
Digital signals	active-low	active-low	active-low	active-high	active-high	active-high	active-high	active-high
Connector	Molex 90327-3308	Molex 90327-3308	Molex 90327-3308	Molex 90327-3308	Molex 90327-3308	Molex 90327-3308	Molex-Micro-Fit Select Gold	Molex-Micro-Fit Select Gold
Rated operating voltage	+24 V	+24 V	+24 V	+24 V	+24 V	+24 V	+24 V	+24 V
PIN 1	-	-	-	-	-	-	+UB	+UB
PIN 2	+UB	+UB	+UB	+UB	+UB	+UB	GND	GND
PIN 3	-	-	-	-	-	-	Digital signal neutral	Digital signal neutral
PIN 4	Analogue output 0.5 – 4.5 V	Analogue output 0.5 – 4.5 V	Analogue output 0.5 – 8.5 V	Analogue output 0.5 – 4.5 V	Analogue output 0.5 – 4.5 V	Analogue output 0.5 – 8.5 V	Analogue output 0.5 – 4.5 V	Analogue output 0.5 – 4.5 V
PIN 5	GND	GND	GND	GND	GND	GND	Digital signal CCW	Digital signal CCW
PIN 6	Digital signal CW	Digital signal CW	Digital signal CW	Digital signal CW	Digital signal CW	Digital signal CW	Digital signal CW	Digital signal CW
PIN 7	Digital signal CCW	Digital signal CCW	Digital signal CCW	Digital signal CCW	Digital signal CCW	Digital signal CCW	-	-
PIN 8	Digital signal neutral	Digital signal neutral	Digital signal neutral	Digital signal neutral	Digital signal neutral	Digital signal neutral	-	-