



TEMO RIDER TILLER HEAD

The TEMO RIDER is designed for pedestrian trucks with an operator platform. The twist grips ensure comfortable control from different operating positions. The innovative butterfly knobs allow an auxiliary function to be operated with thumb and index finger without having to let go. The TEMO RIDER uses the DITEGO combi traction switch with non-contacting Hall-effect sensors and a CANopen interface.

- Exceedingly robust metal housing with strong plastic covers
- Twist grips for the travel function
- Ergonomic operation of the butterfly knobs for auxiliary functions
- Additional function key for pedestrian mode
- Non-contacting Hall-effect technology
- CANopen interface

Installation/removal

The upper part can be lifted off the lower part by unscrewing 8 x M5 screws on the underside of the tiller head. The tiller head can be screwed to a connection plate with 4 x M8 screws.

Tiller tube connection

The tube and the connection plate are not included in the delivery.

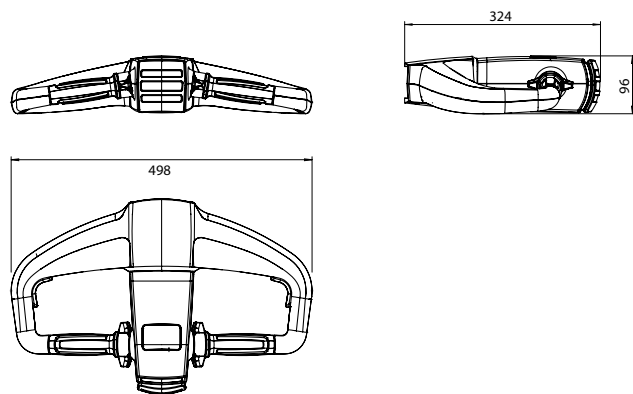


Technical data	
Operation elements	
Traction switch - rotary handles	Contactless via Hall sensors
Raise/lower - wing handles	Contactless via Hall sensors
Creep speed (option)	Contactless via Hall sensors
Horn	Contactless via Hall sensors
Personal protection switch	Contactless via Hall sensors
Electric interface	
Voltage supply	+9 to +40 VDC
Rated voltage	+24 VDC / 50 mA
Interface/protocol	CAN/CANopen
Connector system	AMP Superseal 1.5 series
Mechanical interface	
Tiller tube	Max. 50 x 90 mm
Operating conditions	
Operating temperature range	-30 °C to +65 °C
Protection class according to EN 60529	Housing: IP 35D Traction switch: IP 68
Standard colours	
Operation elements	RAL 2011 deep orange
Personal protection switch	RAL 3000 flame red
Housing	RAL 9005 jet black RAL 7015 slate grey
Rotary handles	RAL 7015 slate grey

Special versions

- The operation elements and traction switch lever can also be manufactured in different colours with an appropriate purchase
- Laser marking of the operation elements

Dimensions [mm]



Order data

Part No.	Designation
3101-00070-XX	The TEMO RIDER tiller head is configured in a customer-specific manner