



AURIGO 200

The AURIGO sets new standards within the range of vehicle operation. The innovative design distinguishes the AURIGO as the industries first configurable, multi-function steering wheel. Most of the function control elements can be ergonomically arranged around the guidance grasp to provide a comfortable feel for the operator on a range of vehicles. Along with flexible function configurations of the steering wheel and various color options and inscription possibilities for the control elements, this should allow for optimal vehicle adjustment possibilities. The STIPO accelerator switch is available in different output signal variations to work with a wide variety of motor controllers. To provide the simplest means of mounting the AURIGO to any vehicle it is supplied with a mounting plate.

- Steer by Wire
- Freely configurable system
- Different standard colors for the control elements are available
- Mounting plate with integral threaded inserts included
- Guidance angle approximately 120° per side
Upon customer request a smaller angle is also possible
- Decals for the center section or a printed logo are possible
- Only steering and serving in combination with the PREMO accelerator pedal is also possible
- Space enough for up to five control elements in the center section

The AURIGO multi-function steering wheel can be equipped without any accelerators or with up to two STIPO accelerator switches. Thus providing diverse control possibilities, for example, proportional functions such as a driving and performing a lift / lower function or a cab raise or side shift function. The different functions could be firmly defined or programmable. By working in combination with the accelerator pedal PREMO we can even void the driving function at the AURIGO and it is only used for steering and serving.



Technical Specifications

Operating Conditions

Restoring moment	App. 0.8 Nm into rest position App. 1.8 Nm at the last detent
Angle of rotation	In both directions in each case 120° of the resting
Life span steering	2 million cycles
Maximum stress	90 kg in each direction
Protection class	IP 54
Operating temperature	-40°C to +80°C
Air humidity	95 % r.L.

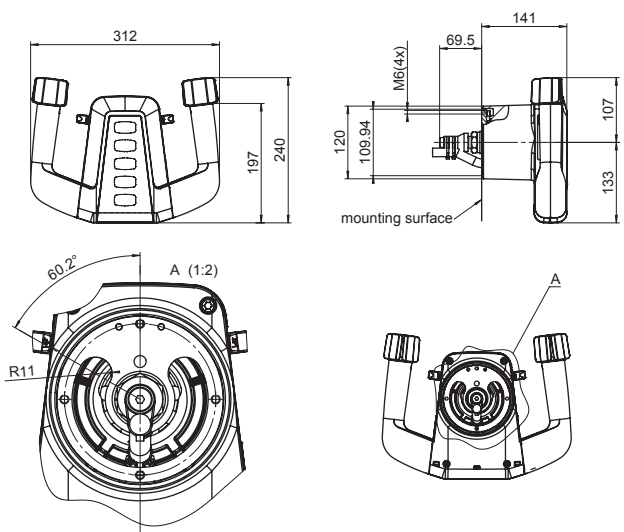
Required Details on Inquiries

- Number of accelerator switch into the two hand grips
- Manufacture and Type of the used vehicle controller
- Equipment left and right side
- Equipment into the middle cover (max. five control elements are possible)
- Color for the control elements

Special Design

- The operation elements and the grips are available in different standard colours. Special colours would be possible on request.
- Laser-marking of the operation elements
- Custom specific Logo as color print onto the middle cover
- Special design foil onto middle cover possible
- CANopen

Dimensions [mm]



Order Data

Part No.	Description
3102-00030-xx	AURIGO 200 will be configured user-specific