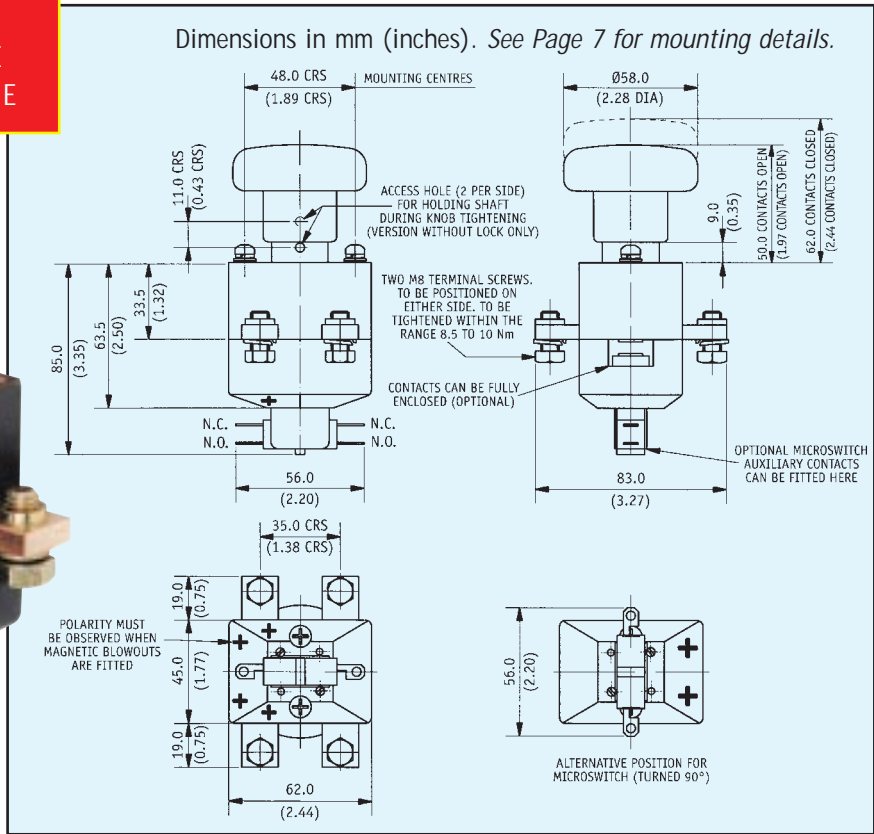
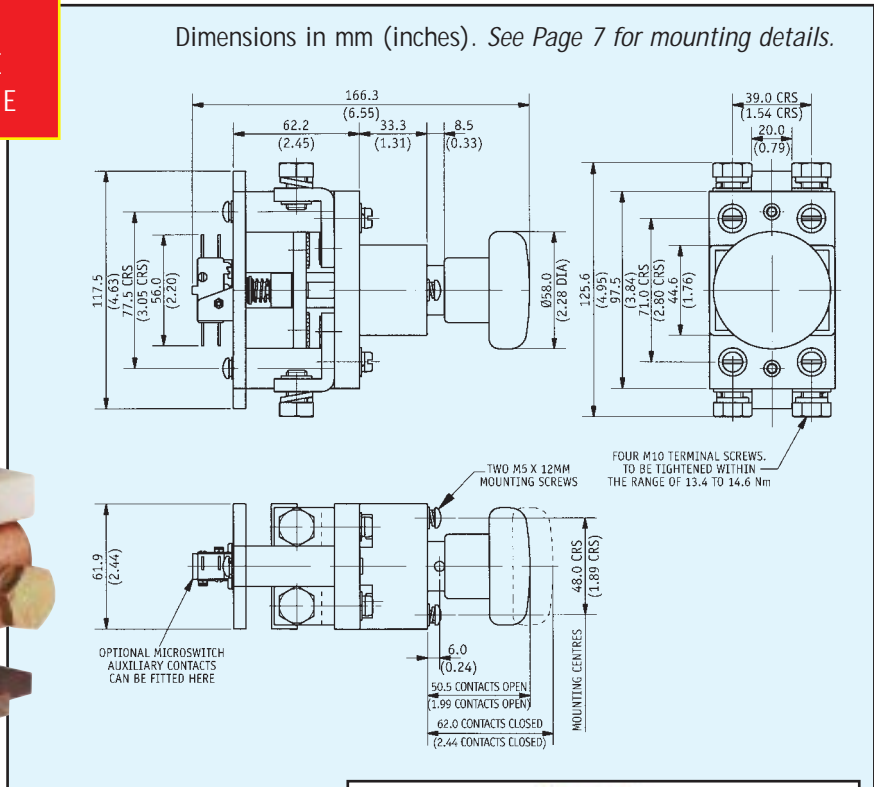
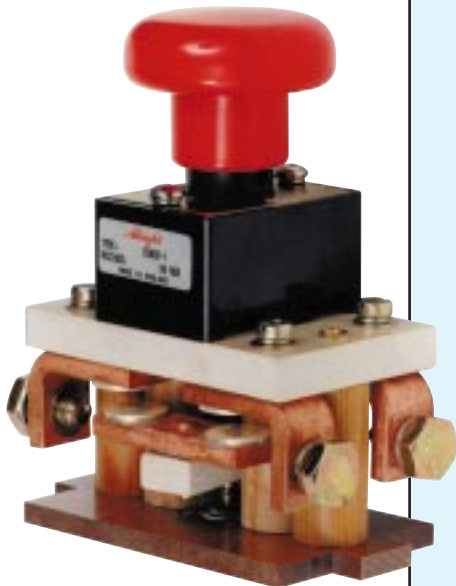


ED 252
250 AMPERE
DOUBLE POLE



ED 402
400 AMPERE
DOUBLE POLE



Heavy Duty DC Battery Disconnecting Switches from...



Electrical schematic for ED252A & ED402A

